

# X240 Gaming Tablet Computer

10.1" Tablet for gaming applications, with integrated stand and handle

## Key Benefits

- ▶ Easy to keep all tablets inside a venue continuously charged with increased battery capacity
- ▶ More powerful, next generation tablet for an enhanced gaming experience
- ▶ Ergonomic integrated handle and stand for ease of use
- ▶ Specialised for gaming and effortless to carry, position and use
- ▶ Through life managed service

The X240 improves the graphics and runtime performance of our series of gaming tablets, to be better than ever to run the latest land based electronic gaming applications, such as eBingo.

Integrated handles and stands make them effortless to carry and use in a variety of positions, while long battery life and easy charging provide uninterrupted gameplay.

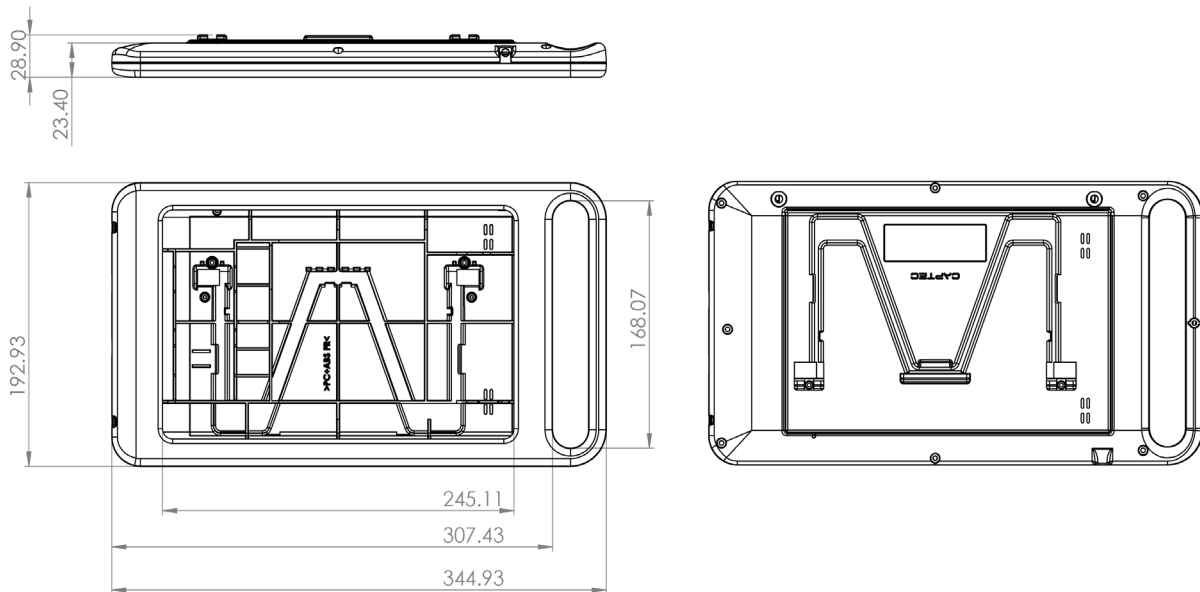


## Specifications

X240 10 Inch Tablet	
CPU	N4120 Quad-Core 2.6 GHz Intel Processor
Chipset	Gemini Lake N4100
Memory	4GB DDR4
Storage	64GB eMMC
Graphics	Intel® UHD Graphics 600
I/O	Micro-USB
Camera	None
Audio	Integrated Audio, Built in Speakers
Operating System	Windows 10 IoT LTSC
Battery	11,000mAh Lithium-ion Polymer (LIP) rechargeable battery
Charging	12V, Cable-less charging connector

X240 10 Inch Tablet	
Connectivity	Wi-Fi 802.11 ac b/g/n, Bluetooth v5.0
Dimensions	345mm W x 193mm H x 29mm D
Weight	1.4kg
Operating Temperature	10°C - 40°C
Storage Temperature	-10°C - +50°C
Ordering Information	X240 – 10" Gaming Tablet, with integrated stand and handle.
Certification	UKCA, FCC

## Technical Details



 [captec-group.com](http://captec-group.com)

 [/company/captec](https://www.linkedin.com/company/captec)

 [@captecgroupp](https://twitter.com/captecgroupp)

### EMEA Office

7 Whittle Avenue, Fareham,  
Hants, PO15 5SH, UK

✦ +44 (0)1489 866 066

✦ [sales@uk.captec-group.com](mailto:sales@uk.captec-group.com)

### North America Office

15 Saltsman Dr. Cambridge, ON.  
N3H 4R7, Canada

✦ +1 (519) 650 4000

✦ [sales@ca.captec-group.com](mailto:sales@ca.captec-group.com)